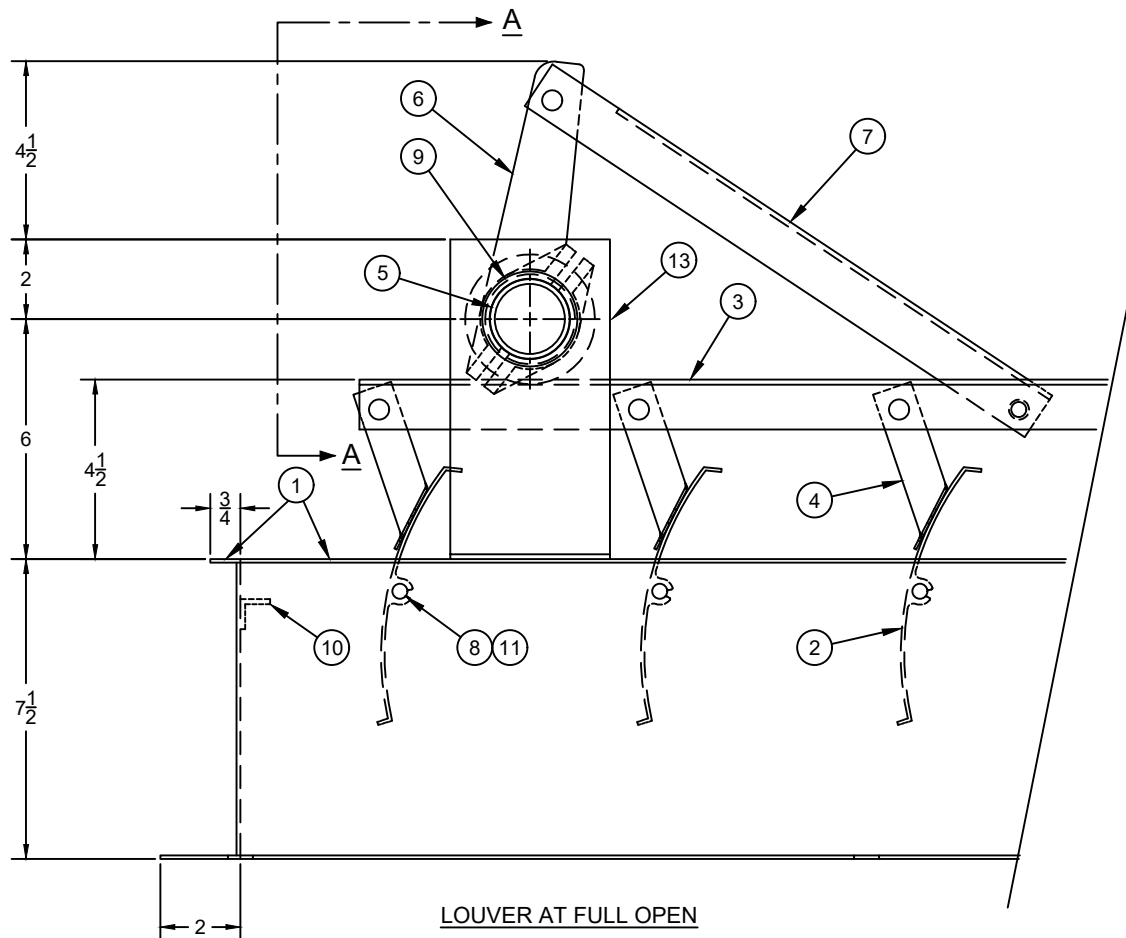



VIEW A-A



LOUVER AT FULL OPEN

ITEM	ITEM DESCRIPTION
1	LOUVER FRAME
2	LOUVER BLADE
3	ACTUATOR ROD
4	BLADE HORN
5	TORQUE TUBE
6	TORQUE TUBE LEVER ARM
7	CONTROL LINK
8	BLADE PIN
9	TORQUE TUBE BUSHING
10	AIR SEAL ANGLE
11	BLADE PIN BUSHING
12	1/4-20 X 5/8 HHCS
13	TORQUE TUBE SUPPORT BRACKET
14	TORQUE TUBE KEEPER (ALUM)

 <small>PRODUCTS, INC 1550 S., 81ST W. AVE., TULSA, OK. 74127</small>	
Dwg. Name: 700 SERIES TA LOUVER PARTS	
Date: 4/30/2020	By: PR
Customer: STANDARDS	File #: 700 SERIES TA PARTS