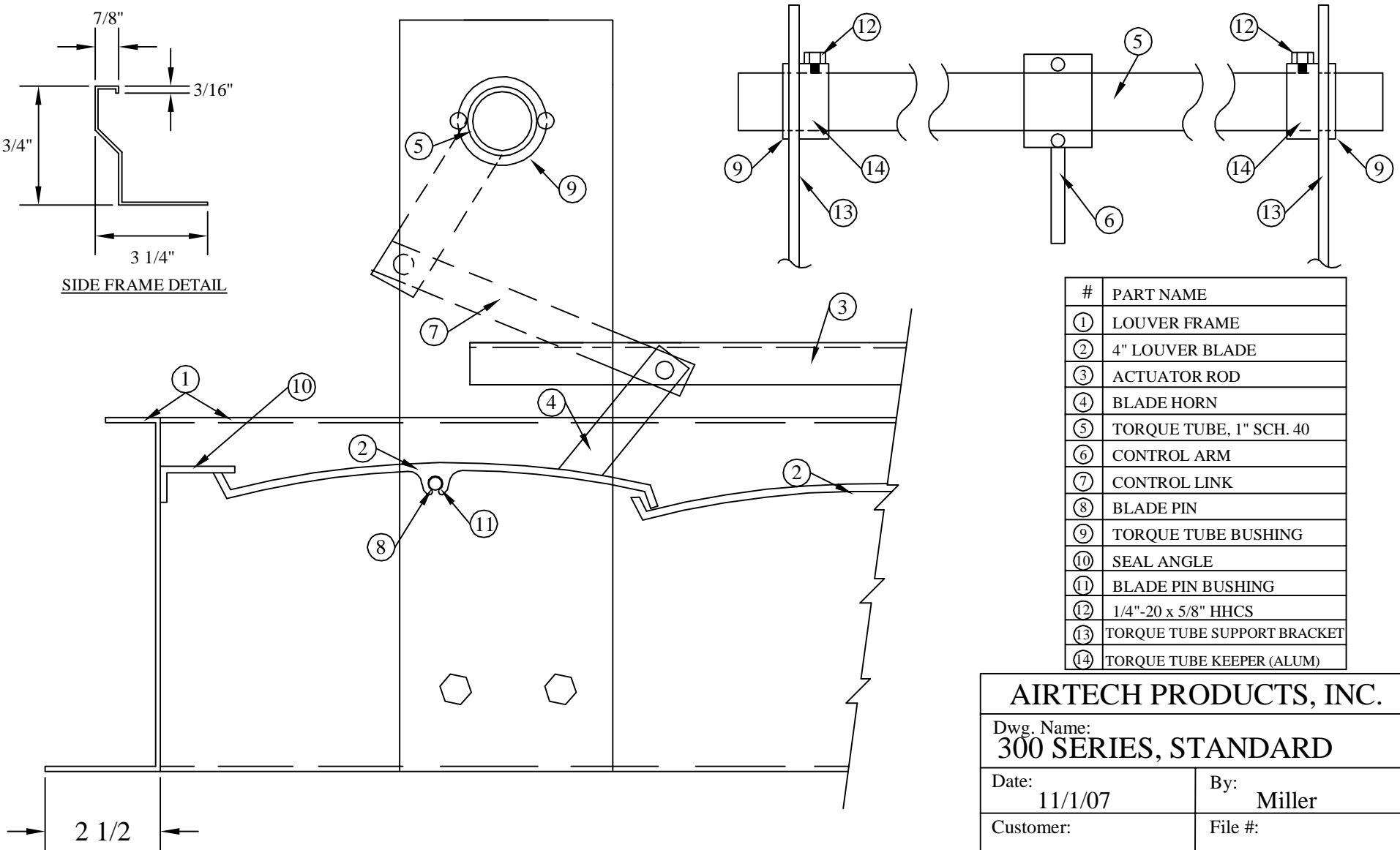


SIDE FRAME DETAIL



#	PART NAME
①	LOUVER FRAME
②	4" LOUVER BLADE
③	ACTUATOR ROD
④	BLADE HORN
⑤	TORQUE TUBE, 1" SCH. 40
⑥	CONTROL ARM
⑦	CONTROL LINK
⑧	BLADE PIN
⑨	TORQUE TUBE BUSHING
⑩	SEAL ANGLE
⑪	BLADE PIN BUSHING
⑫	1/4"-20 x 5/8" HHCS
⑬	TORQUE TUBE SUPPORT BRACKET
⑭	TORQUE TUBE KEEPER (ALUM)

AIRTECH PRODUCTS, INC.

Dwg. Name:
300 SERIES, STANDARD

Date:
11/1/07

By:
Miller

Customer:

File #:
PARTS